



Series 181 Thru 184 Flat Pin Staked Flex Jumpers

FEATURES:

• Aries 90° Pin Staked Flex Jumpers combine thin, flexible, solid Copper conductors embedded between layers of tough, flexible, flame-retardant insulation.

• Consult factory for cable lengths under 2.000 [50.80].

GENERAL SPECIFICATIONS:

- Standard cable insulation is white UL VW-1, Style 2643 flame retardant Polyester (Mylar) adhesive.
- High temperature flame retardant cable insulation is Polyimide (Kapton) insulation with acrylic adhesive.
- Cable conductors are solid Copper with a cross-sectional area equivalent to that of 26 gauge AWG.
- Female housing is black UL 94V-0 Glass-filled Thermoplastic Polyester.
- Female and male "crimp-on" pins are spring-tempered Copper Alloy 510.
- Female and male pin plating is 100µ [2.54µm] min. Tin per MIL-T-10727 over 50µ [1.27µm] min. Nickel per QQ-N-290. Female pin also available with 30µ [.76µm] min. Gold per MIL-G-45204 in contact area.
- Cable current rating=3 Amps
- Cable voltage rating=300 Volts
- Cable dielectric strength=2500 Volts/mil, minimum (standard)
=4000 Volts/mil, minimum (high temp)
- Cable insulation resistance=1000 MOhms minimum (standard)
=100,000 MOhms (high temp)

Operating temperature=67 to 257°F [-55 to 105°C].

• Female housing accepts leads .024-.030 [.61-.76] square, .150 [3.81] long minimum.

MOUNTING CONSIDERATIONS:

• Suggested PCB hole size=.032± .002 [.81 ± .05] dia.



Note: Aries specializes in custom design and production. In addition to the standard products shown on this page, special materials, platings, sizes, and configurations can be furnished, depending on quantities. Aries reserves the right to change product specifications without notice.

**Aries reserves the right to shop with or without a polarization stripe less otherwise specified by customer

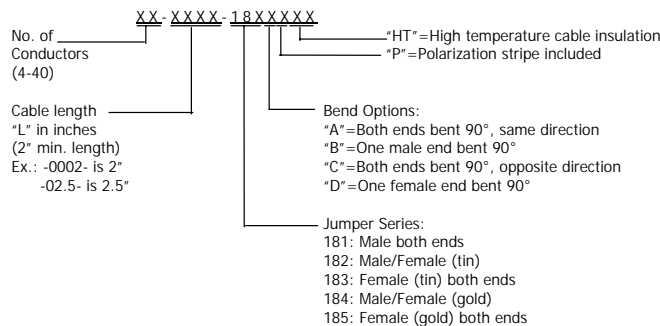
ALL DIMENSIONS: INCHES [MILLIMETERS]

All tolerances ± .005 [.13] unless otherwise specified

"A"=NO. OF CONDUCTORS X .100 [2.54]
"B"=(NO. OF CONDUCTORS -1) X .100 [2.54]

Kapton is a registered trademark for DuPont

ORDERING INFORMATION



XX-XXXX-181A	XX-XXXX-182A	XX-XXXX-183A	XX-XXXX-184A	XX-XXXX-185A
XX-XXXX-181AP	XX-XXXX-182AP	XX-XXXX-183AP	XX-XXXX-184AP	XX-XXXX-185AP
XX-XXXX-181AHT	XX-XXXX-182AHT	XX-XXXX-183AHT	XX-XXXX-184AHT	XX-XXXX-185AHT
XX-XXXX-181APHT	XX-XXXX-182APHT	XX-XXXX-183APHT	XX-XXXX-184APHT	XX-XXXX-185APHT
XX-XXXX-181B	XX-XXXX-182B	N/A	XX-XXXX-184B	N/A
XX-XXXX-181BP	XX-XXXX-182BP	N/A	XX-XXXX-184BP	N/A
XX-XXXX-181BHT	XX-XXXX-182BHT	N/A	XX-XXXX-184BHT	N/A
XX-XXXX-181BPHT	XX-XXXX-182BPHT	N/A	XX-XXXX-184BPHT	N/A
XX-XXXX-181C	XX-XXXX-182C	XX-XXXX-183C	XX-XXXX-184C	XX-XXXX-185C
XX-XXXX-181CP	XX-XXXX-182CP	XX-XXXX-183CP	XX-XXXX-184CP	XX-XXXX-185CP
XX-XXXX-181CHT	XX-XXXX-182CHT	XX-XXXX-183CHT	XX-XXXX-184CHT	XX-XXXX-185CHT
XX-XXXX-181CPHT	XX-XXXX-182CPHT	XX-XXXX-183CPHT	XX-XXXX-184CPHT	XX-XXXX-185CPHT
N/A	XX-XXXX-182D	XX-XXXX-183D	XX-XXXX-184D	XX-XXXX-185D
N/A	XX-XXXX-182DP	XX-XXXX-183DP	XX-XXXX-184DP	XX-XXXX-185DP
N/A	XX-XXXX-182DHT	XX-XXXX-183DHT	XX-XXXX-184DHT	XX-XXXX-185DHT
N/A	XX-XXXX-182DPHT	XX-XXXX-183DPHT	XX-XXXX-184DPHT	XX-XXXX-185DPHT



NORTH AMERICA
Frenchtown, NJ USA
TEL: (908) 996-6841
FAX: (908) 996-3891



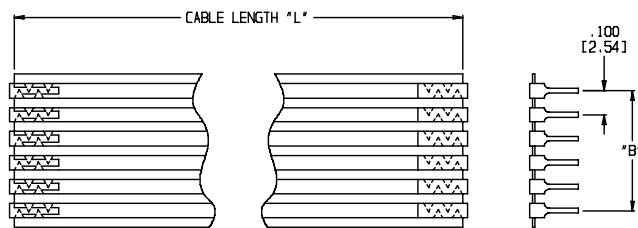
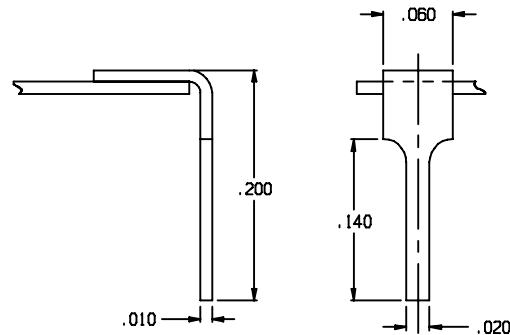
UK/IRELAND/GB
TEL: +44 870 240 0249
FAX: +44 1653 600493
uking@arieselec.com

EUROPE/MAINLAND/HOLLAND
TEL: +31 78 615 94 65
FAX: +31 78 615 43 11
europe@arieselec.com

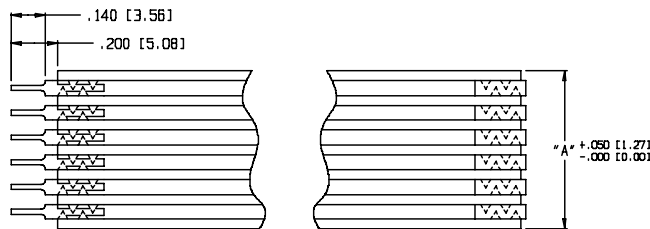


Series 181 Thru 184 Flat Pin Staked Flex Jumpers

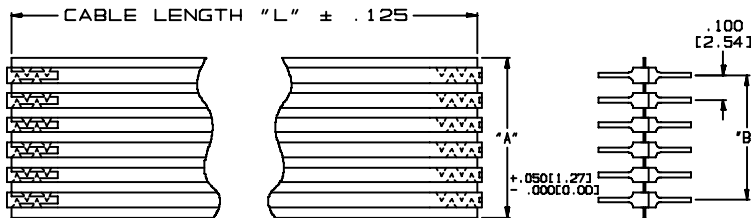
BENT MALE CONTACT DETAIL



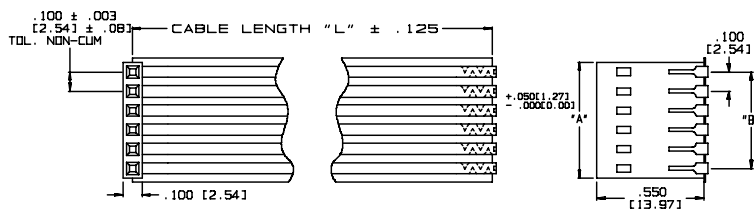
181A



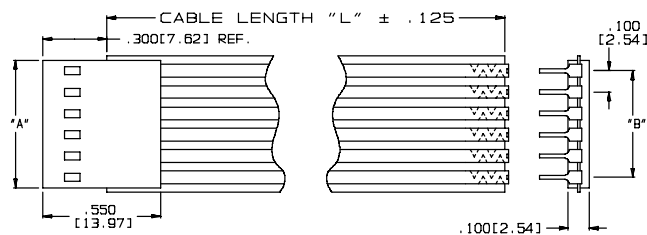
181B



181C



182A



182B





Series 181 Thru 184 Flat Pin Staked Flex Jumpers

